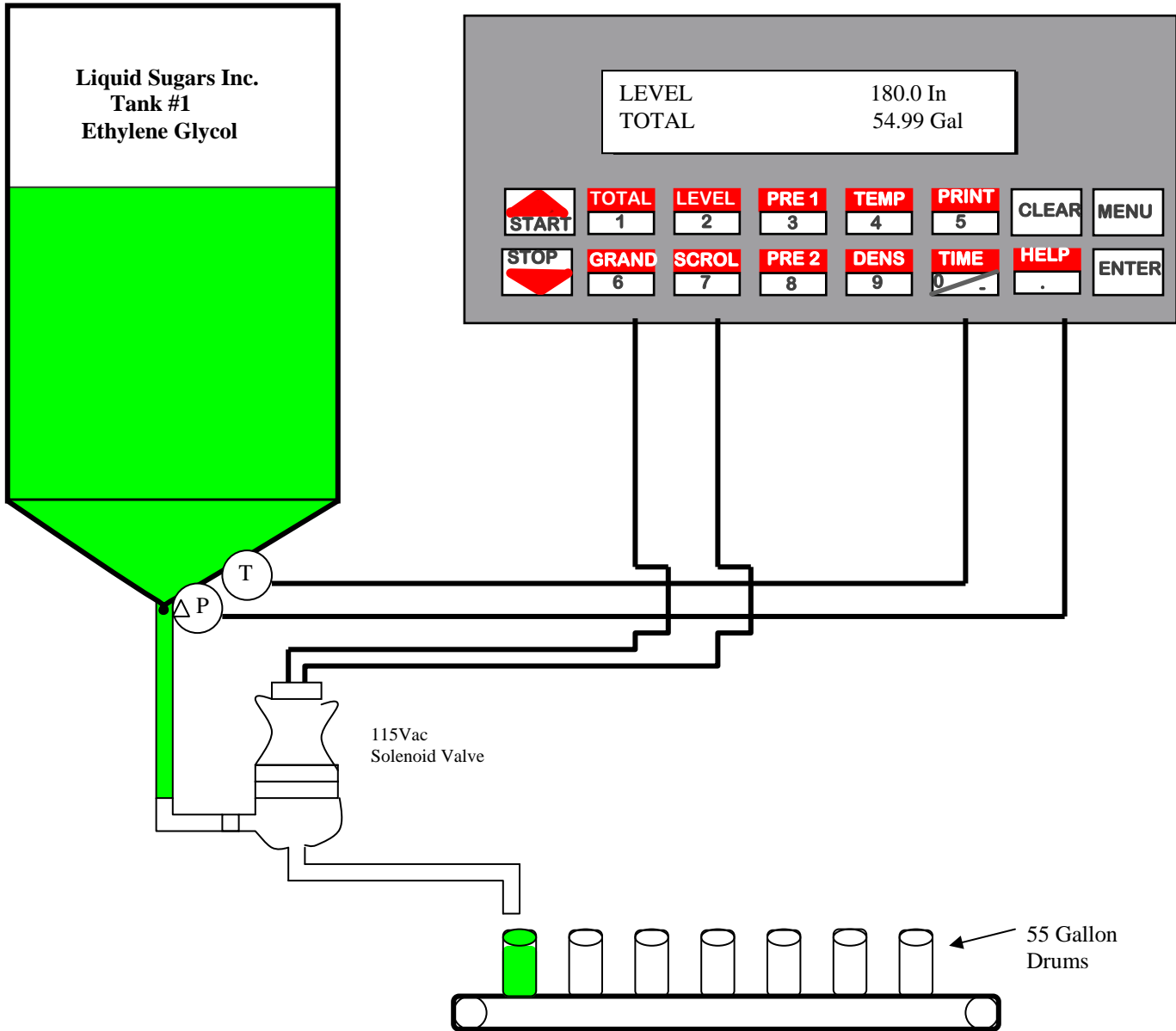


Leveltrol II Performing Single Stage Corrected Volume Batching of Antifreeze with DP Transmitter and Temperature Transmitter.



The Leveltrol II has the ability to perform in bulk fluid transfer applications. It uses an internal register to keep an audit trail of instrument set up changes.

The Leveltrol II has built in printing capabilities and can Print for Time-of-Day, Print Intervals, Print-at-End-of-Batch and Manual printing.

The Leveltrol II will work on Vertical, Horizontal & Spherical tank geometry's and has a 32 pt. table for accurate measurement of non-linear tanks.

Application Terminal Connections

